

# 6600 Liquid Level Indicator

Gauge tube indicator for tank level measurement

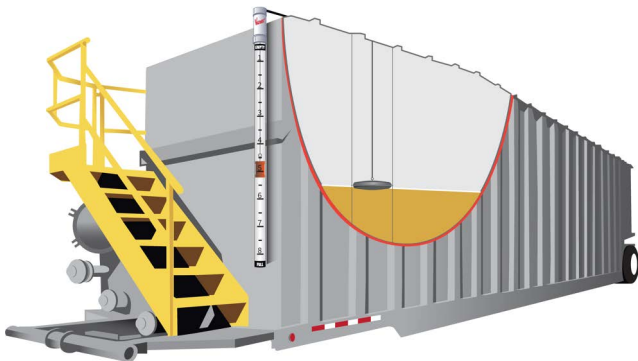
## Highlights

- Displays measurement in 1/2 ft increments
- Easy-to-read measurement from a distance
- Durable polycarbonate tube with vinyl numbering
- Level indication in feet
- Standard and severe service configurations
- Designed for frac tanks, mobile or portable tanks
- No power required
- Not open to the atmosphere

## Application

The 6600 Liquid Level Indicator (LLI) is an economical, easy to install measurement device utilizing an indicator within and gauge tube to indicate tank level. The indicator displays liquid level (product innage) in 1/2' increments. Designed for use on mobile tanks, the 6600 may be installed on both in-service and out-of-service tanks.

Example Liquid Level Indication



Changes in the liquid level of the tank raise or lower the float, which moves the indicator cable. Cable movement drives the indicator up and down the gauge tube on the side of the tank. The liquid level in feet is shown by the indicator position on the gauge tube. The user may then convert the liquid level to units of volume. This may be accomplished manually or by using inventory management software, such as FuelsManager®.



## Stainless Steel Option

For corrosive or clean liquids, such as potable water, a Stainless Steel option is offered with all wetted parts, top anchors and elbows fabricated from 316 stainless steel.

## Accessories

- Manways and Inspection Covers
- Float Grounding Kit
- Teflon Tape Wipe
- Extension Bracket Kit
- Reinforcing Bracket
- Shock Absorber

**Material Specifications**

Description	Standard
Indicator Tubes	Polycarbonate
Sheave elbows	360 Aluminum
Indicator Sight Target	PVC
Float	Type 316 Stainless Steel
Float cable	Type 316 Stainless Steel
Guide cable	3/32" Diameter Type 316 Stainless Steel
Top anchors	Steel
Bottom anchors	Steel
Cable fastener	Type 316 Stainless Steel
Cable crimp	Type 316 Stainless Steel
Operating Range:	Full Travel: 8 ft. Maximum

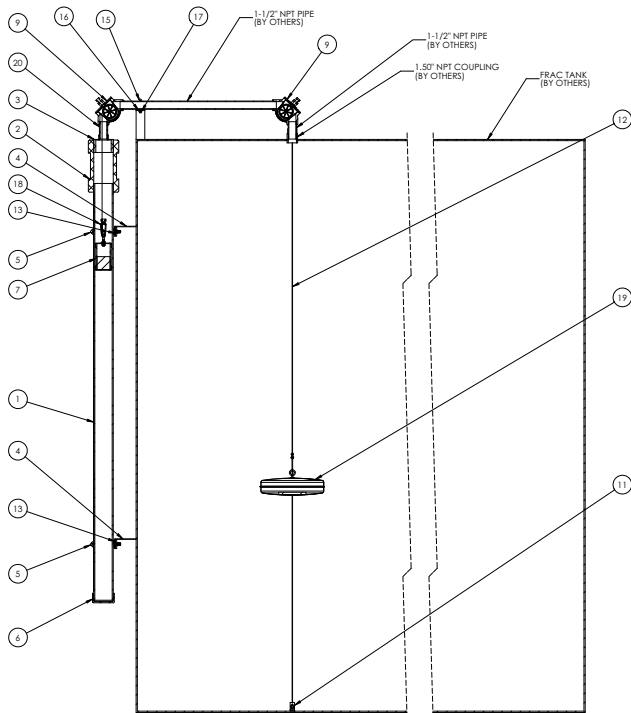
An oil seal is recommended if the process temperature can exceed 200 °F (93 °C).

**Order Codes**

Application Type	
ST	For application on standard tank type
NA	No top or bottom float guidewire anchors included
Board Type and Length -	
F08	English-Tank to 8ft
<b>N6600-</b>	Complete Designation

ITEM NO.	VAREC P/N	QTY.	DESCRIPTION	MATERIAL
1	05-013527	1	GAUGE TUBE ASSY	VINYL LABEL, POLYCARBONATE TUBE
2	P017-01-010	1	COMPRESSION COUPLING, 4" PIPE SIZE	PVC
3	P30-06-895	1	REDUCER, 4" PIPE SIZE X 1-1/2"	PVC
4	02-013530	2	TRAILER SIDE BRACKET	A36 CARBON STEEL
5	P38-8	2	TUBE CLAMP U-BOLT	ZN PL STEEL
6	P30-07-896	1	PIPE CAP	PVC
7	05-013535	1	INDICATOR ASSY	PVC
8	16-013531	1	VAREC LOGO STICKER	VINYL
9	06-08564	2	LOW PRESSURE 90° ELBOW	ALUMINUM HSG. DELRIN SHEAVE
10	BM5200	2	TOP ANCHOR ASSEMBLY (STEEL)	MILD CARBON STEEL
11	AA1025	1	BOTTOM ANCHOR ASSY	MILD CARBON STEEL
12	B10975-306	1	CABLE, 7 X 7, 3/32" DIA X 42'	316 SS
13	P31-919	4	STD. WASHER .562"ID X 1.375"OD	ZN PL STEEL
14	B5643-003	1	TANK SIDE BRACKET	MILD CARBON STEEL
15	A544-003	1	U-BOLT FOR 1.5" PIPE, 3/8-16 UNC	ZN PLATED STEEL
16	P31-446	2	FLAT WASHER 3/8" PREFERRED TYPE A NARROW (SAE)	ZN PL STEEL
17	P31-726	2	HEX NUT 3/8-16 UNC	ZN PL STEEL
18	BM5478-600	2	SNAP CONNECTOR ASSY	316 SS
19	BM9074-000	1	14.5" FLOAT ASSY	316 SS
20	02-013549	1	PIPE, 1-1/2"OD X 6' TOE	PVC
21	02-013539-02	1	FULL VINYL STRIP	VINYL

Side View



Front View

