

2920 Float & Tape Transmitter

Spare Parts List



Name

Company

Tel:

Fax:

E-mail:

Date:

Item	Part No.	Description	Quantity
02	08-013204	Terminal Board Assembly	
03	08-013220	Expansion Terminal Board Assembly	
04	08-013125	Bi-Phase Mark Communication Board Assembly	
04	08-013232	MODBUS Communication Board Assembly	
05	980080000	Wickman/LittleFuse F1 (80 mA)	
05	08-12836	AC & DI/DO Board Assembly (includes 1980080000 fuse)	
06	P14-170	Std Transmitter Housing Cover 0-Ring, 7" ID	
07	P14-182	O-Ring, Junction Box	
08	08-013221	HART Terminal Board Assembly	
09	08-012839	Long Interconnection Board	
09	08-012848	Short Interconnection Board	
09	08-013219	HART IS Barrier PCB Assembly	
10	05-013168	Plastic Display Support Plate Assembly	
11	08-013226	Display PCB Assembly	
12	08-013205	Capacitive Touch PCB Assembly	

Date Parts Required:

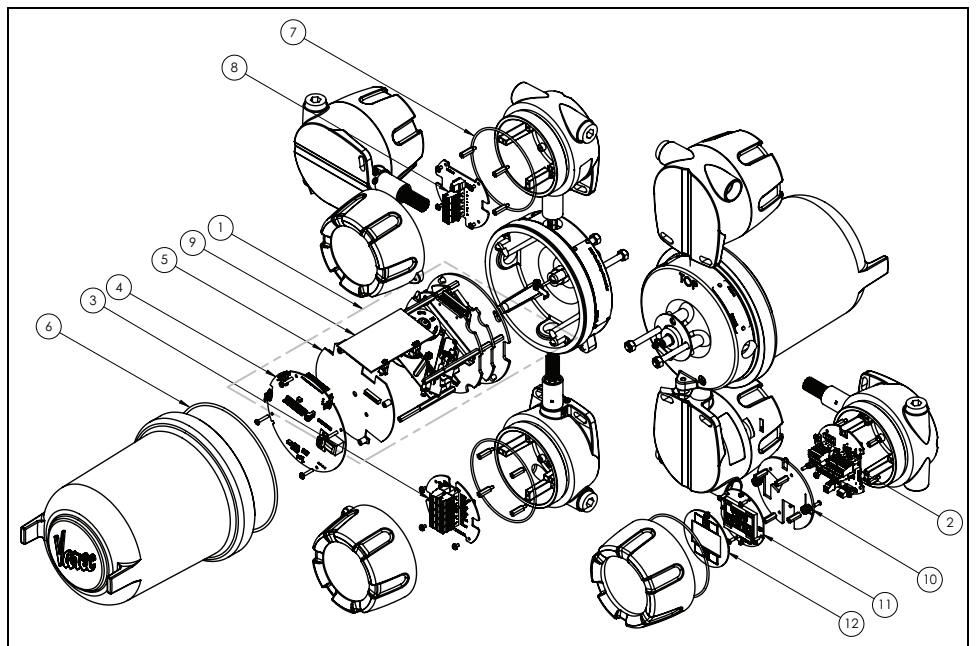
Delivery Address:

Billing Address:

End User Information:

(Name, Company, City, State, Zip)

Purchase Order Number:



Shipping Instructions:

Special Instructions:

Ordering Instructions:
 When ordering spare parts refer to the diagram for item numbers. Complete this form in full and then fax-back to (770) 810-9456, or contact your Varec local representative:

