

4560 Servo Gauge Monitor

Safety instructions for explosion-hazardous areas



Declaration of Conformity

Varec, Inc. ensures that this product conforms to the regulations of the European Directive 94/9/EC. Proof of conformity is given by the standards listed in this product's associated Declaration of Conformity.

ZELM 09 ATEX 0409 X


CE  II 2 G Ex d IIC T4

Table 1: Designation according to Directive 94/9/EC

Designation according to Directive 94/9/EC	
Equipment Group	II
Equipment Category: Housing Category 2	2
For explosive mixture composed of gases, mist or vapors	G

Table 2: Hazardous zone at the mounting point, according to Directive 94/9/EC

Hazard due to explosive gas-air mixture Category	
Zone 0	1G
Zone 1	2G
Zone 2	3G

Table 3: Designation of explosive protection

Designation of explosive protection	
Electrical apparatus with explosion protection to European standard	Ex
Type of protection	d
Apparatus group	IIC
Temperature class	T4

Applied standard:
EN 60079-0 : 2009
EN 60079-1 : 2007

Safety Instructions:

Read this safety information and refer to the Installation and Operations Manual before installing the 4560 Servo Gauge Monitor (SGM).

1. **Install according to the manufacturer's instructions and any other valid standards and guidelines.**
2. **Do not open the electrical connection of the power supply circuit under voltage if a potentially explosive atmosphere is present.**
3. **In explosive atmospheres, do not open the connection compartment cover under voltage.**
 - a. Only certified cable entries must be used for the intended cables. Selection criteria as per DIN / IEC 60079-14 must be observed.
 - b. For operating the tank side monitor housing at an ambient temperature under -20°C , appropriate cables and cable entries permitted for this application must be used.
 - c. Continuous duty temperature of the cable $\geq T_{amb} + 5\text{ K}$
 - d. When connecting the tank side monitor housing via piping entries permitted for this purpose, the associated seal mechanisms must be arranged directly at the housing.
 - e. An unused cable entry of the enclosure is to be plugged directly by stopping plug. A stopping plug shall not be used with threaded adaptor. The purchased stopping plug shall be ATEX certified Ex d stopping plug with thread size of M26 X 1.5.

Note! Only the delivered thread adapters shall be used.

4. Supply and signal circuit :

- a. Power Supply:
[Terminals: 1(L+), 3(N-), 5(GND)]:

High Voltage Type	Low Voltage Type
4560 - ...3...	4560 - ...4...
85 VAC - 264 VAC 50/60 Hz Max. 25 VA	20 VAC - 55 VAC 50/60 Hz Max. 25 VA 20 VDC - 62 VDC Max. 25 W

- b. Internal Circuit: (Terminals 11 to 20)
 $U_{max} = 24$; $I_{max} = 100\text{mA}$

5. Ambient Temperature: $-20^{\circ}\text{C} \leq T_a \leq 60^{\circ}\text{C}$

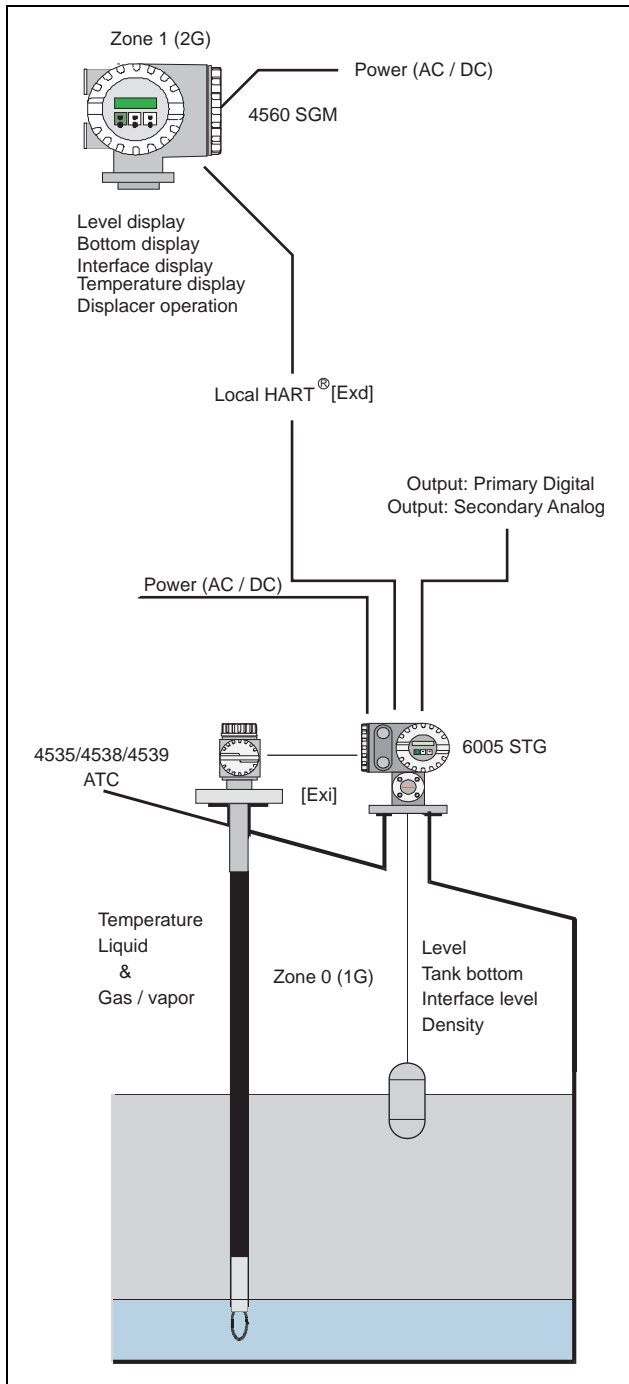


Figure 1: 4560 SGM System Configuration

Note! For information and instructions regarding the 4532/4539 ATC or the 6005 STG, refer to the respective Installation and Operations Manual.

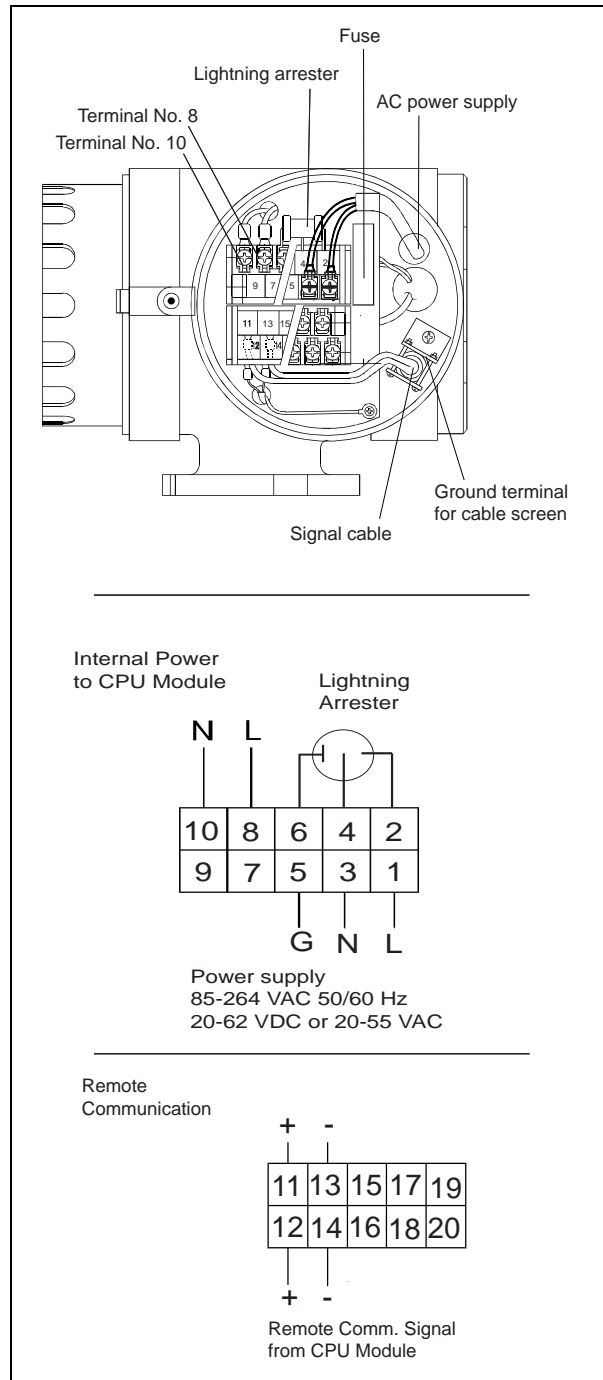


Figure 2: 4560 SGM System Configuration

Note! For information and instructions regarding the 4532/4539 ATC or the 6005 STG, refer to the respective Installation and Operations Manual.



Varec, Inc.
 5834 Peachtree Corners East, Norcross (Atlanta), GA 30092 USA
 Tel: +1 (770) 447-9202 Fax: +1 (770) 662-8939