

4560 Servo Gauge Monitor

Maintenance & Spare Parts



Name

Company

Tel:

Fax:

E-mail:

Date:

Date Parts Required:

Delivery Address:

Billing Address:

End User Information:

Item	Part No	Description	Quantity
1	017803-0030	O-ring, display cover, NBR, D118mm, d3.5mm	
2	017800-0111	Cover, display module, Aluminium	
3	017801-0133	Cover, terminal box, Aluminium	
4	017801-0111	Assembly bracket 90deg, Alu	
5	71070911	Chassis+EMC filter cover	
6	56004435	Set 5x, N4560 cover lock, locking clamp & screw	
7	017801-0030	Terminal board (Exd)	
8	017800-0021	Display module, 3 Key optical (6005 STG: software before V4.27. 4560SGM: software V1.92 or earlier.)	
8	017801-0010	Display module, 3 Key optical (4560SGM: software V1.92 or earlier.)	
8	70103938	Display and operation module type II (6005 STG: software V4.27 or later. 4560SGM: software V1.94 or later.)	
9	70103940	POW-6, HV, non Ex I AC85-264V	
9	70103941	POW-6, LV, non Ex i DC20-60V,AC20-55V	
9	70103942	POW-6, HV, Ex i AC85-264V	
9	70103943	POW-6, LV, Ex i DC20-60V,AC20-55V	
10	017801-0001	Comm. board FCB1 v1.92, 2 line display	
10	70109104	Comm. board FCB-1 v1.94 graphic display	
11	017801-0020	Filter board + spacer 85...260VAC	
12	017801-0105	Fuse 250VAC T2A50, 10 pcs.	
13	017801-0107	Fuse cover, 10 pcs.	
NA	70109127	Tag plate Aluminum middle	
NA	70109130	Tag plate SS middle	
NA	70109131	Tag plate PVC (Teptra)	

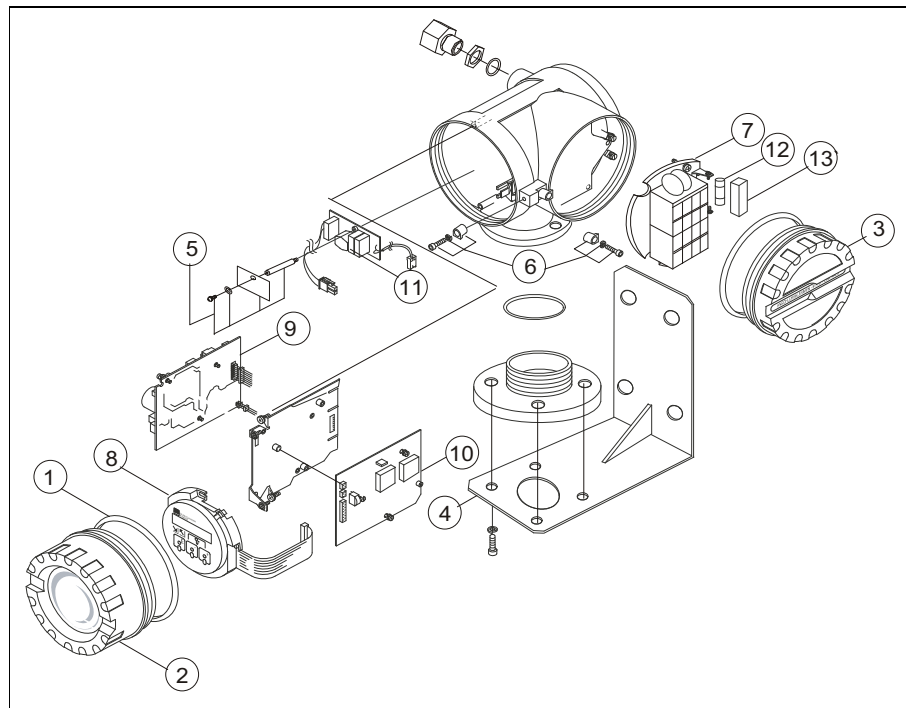
(Name, Company, City, State, Zip)

Purchase Order Number:

Shipping Instructions:

Special Instructions:

Ordering Instructions:
 When ordering spare parts refer to the diagram for item numbers. Complete this form in full and then fax-back to (770) 810-9456, or contact your Varec local representative:



www.varec.com