

4539 Average Temp/Water Bottom Sensor

Maintenance & Spare Parts



Name

Company

Tel:

Fax:

E-mail:

Date:

Date Parts Required:

Delivery Address:

Billing Address:

End User Information:

(Name, Company, City, State, Zip)

Purchase Order Number:

Shipping Instructions:

Special Instructions:

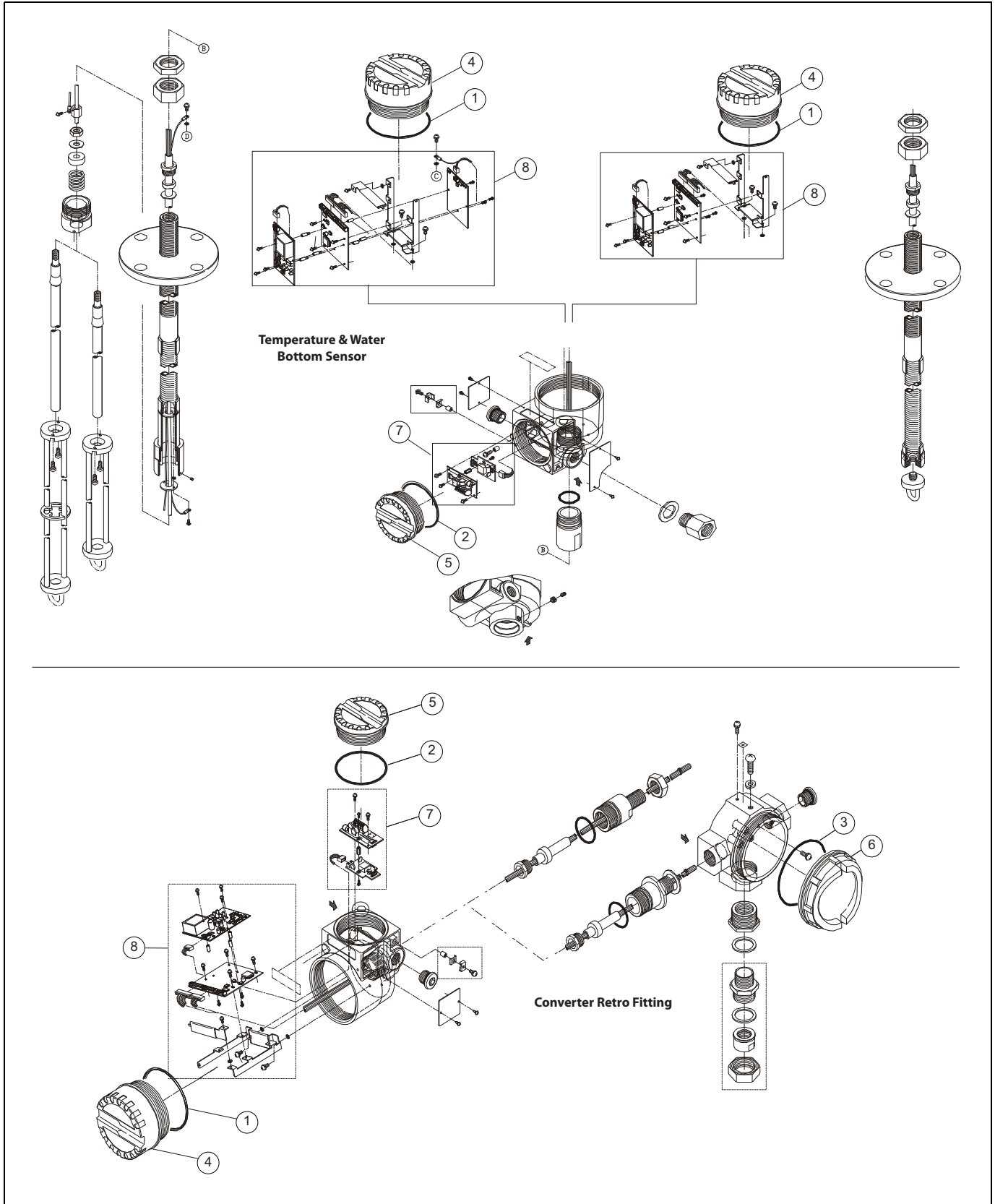
Ordering Instructions:

When ordering spare parts refer to the diagram for item numbers. Complete this form in full and then fax-back to (770) 810-9456, or contact your Varec local representative:

Item	Part No	Description	Quantity
1	017803-0043	O-ring, electric cover, NBR, D88mm, d3mm, N4532/9	
2	017803-0044	O-ring, terminal housing, NBR, D73mm, d3mm, N4532/9	
3	52017174	O-ring, CR, D100mm, d3mm, retrofit j-box connection housing, N4539	
4	70106024	Cover, E-housing, N4532/9, M88 long type	
5	017802-0008	Cover, terminal box, N4532/9, Alu	
6	52017175	Cover, retrofit j-box connection housing, N4539	
7	58020200	Terminal, EMC filter assembly, N4532/9	
8	70108677	Module assembly FM approval temp. v.184, N4532/9	
8	71086631	Module assembly FM, Temp., W+M, v.184, N4532/9	
8	58020207	Module assembly, Temp., W&M, v.184, N4532/9	
8	58020202	Module assembly, Temperature, v.184, N4532/9	
8	71086632	Module assembly FM, T+WB 2m, W+M, v.186, N4539	
8	70108676	Module assembly FM approval 1m WB v.185, N4539	
8	70108674	Module assembly FM approval 1m WB v.186, N4539	
8	70108675	Module assembly FM approval 2m WB v.185, N4539	
8	70108679	Module assembly FM approval 2m WB v.186, N4539	
8	70108678	Module assembly FM approval temp. v.183 (N4535 equiv mode), N4539	
8	71086630	Module assembly FM, T+WB 1m, W+M, v.186, N4539	
8	58020205	Module assembly, Temp., 1m WB, v.186, N4539	
8	58020208	Module assembly, Temp., 1m WB, W&M, v.186, N4539	
8	58020206	Module assembly, Temp., 2m WB, v.186, N4539	
8	58020209	Module assembly, Temp., 2m WB, W&M, v.186, N4539	
8	58020201	Module assembly, Temperature, v.183 (N4535 equiv mode), N4539	
8	58020203	Module assembly, Water bottom 1m, v.185, N4539	
8	58020204	Module assembly, Water bottom 2m, v.185, N4539	
NA	70109127	Tag plate Aluminum middle	
NA	70109131	Tag plate PVC (Teptra)	
NA	70109130	Tag plate SS middle	

www.varec.com

4539 Average Temp/Water Bottom Sensor



Note! Refer to previous page for individual part numbers.