

4532 Average Temperature Sensor

Maintenance & Spare Parts



Name

Company

Tel:

Fax:

E-mail:

Date:

Item	Part No	Description	Quantity
4	017802-0008	Cover, terminal box, N4532/9, Alu	
1	017803-0043	O-ring, electric cover, NBR, D88mm, d3mm, N4532/9	
2	017803-0044	O-ring, terminal housing, NBR, D73mm, d3mm, N4532/9	
5	58020200	Terminal, EMC filter assembly, N4532/9	
6	58020202	Module assembly, Temperature, v.184, N4532/9	
6	58020207	Module assembly, Temp., W&M, v.184, N4532/9	
3	70106024	Cover, E-housing, N4532/9, M88 long type	
6	70108677	Module assembly FM approval temp. v.184, N4532/9	
NA	70109127	Tag plate Aluminum middle	
NA	70109130	Tag plate SS middle	
NA	70109131	Tag plate PVC (Teptra)	
6	71086631	Module assembly FM, Temp., W+M, v.184, N4532/9	

Date Parts Required:

Delivery Address:

Billing Address:

End User Information:

(Name, Company, City, State, Zip)

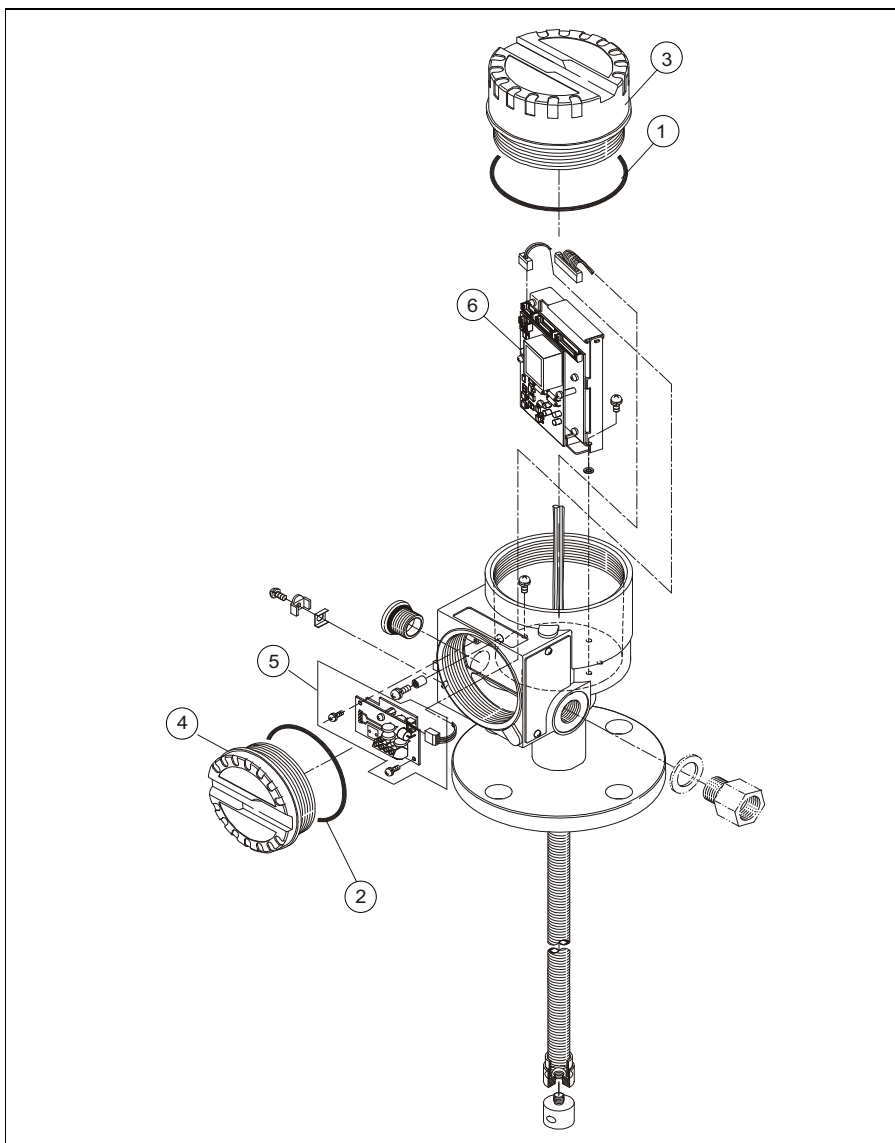
Purchase Order Number:

Shipping Instructions:

Special Instructions:

Ordering Instructions:

When ordering spare parts refer to the diagram for item numbers. Complete this form in full and then fax-back to (770) 810-9456, or contact your Varec local representative:



www.varec.com