

# 2500 ATG Shoulder Bushing Retrofit Kit

## Maintenance and Spare Parts



Name

Part No.	Description	Select the quantity required here:
13-09794-00	Shoulder Bushing Retrofit Kit	

Company

This kit provides all the necessary parts required for replacing the shoulder bushings on the 2500 Automatic Tank Gaugehead.

Tel:

Item	Part#	Description	QTY
23	P10-2	Retaining Ring	4
44	P31-1	Washer	2
45	P31-13	Shim Washer	6
55	02-09598	Shoulder Bushing	2
56	814872-101	Motor Top Plate	1

Fax:

E-mail:

Date:

Date Parts Required:

Delivery Address:

Billing Address:

End User Information:

(Name, Company, City, State, Zip)

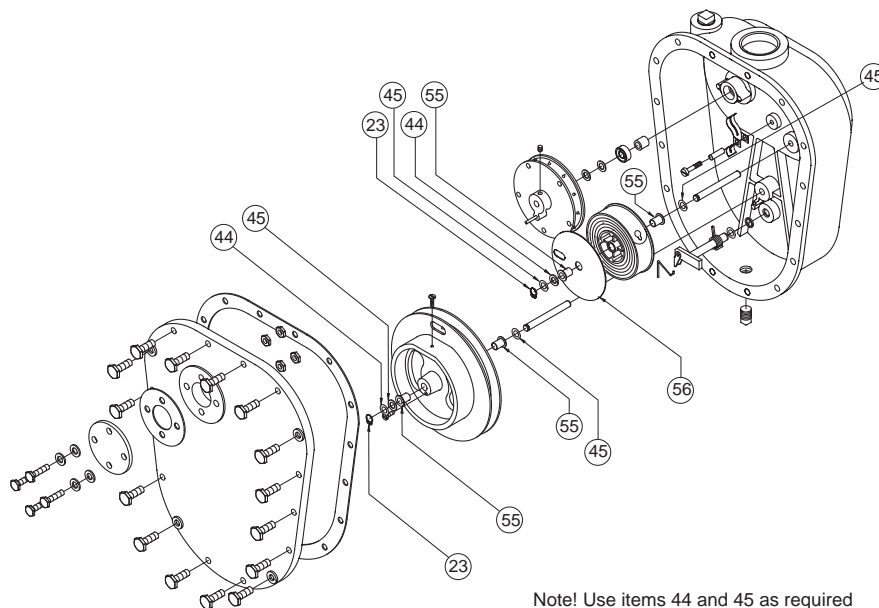
Purchase Order Number:

Shipping Instructions:

Special Instructions:

Ordering Instructions:

When ordering spare parts refer to the diagram for item numbers. Complete this form in full and then fax-back to (770) 810-9456, or contact your Varec local representative:



Note! Use items 44 and 45 as required