

FMR53x Series Radar Tank Gauges

Maintenance & Spare Parts



Name

Company

Tel:

Fax:

E-mail:

Date:

Date Parts Required:

Delivery Address:

Billing Address:

End User Information:

(Name, Company, City, State, Zip)

Purchase Order Number:

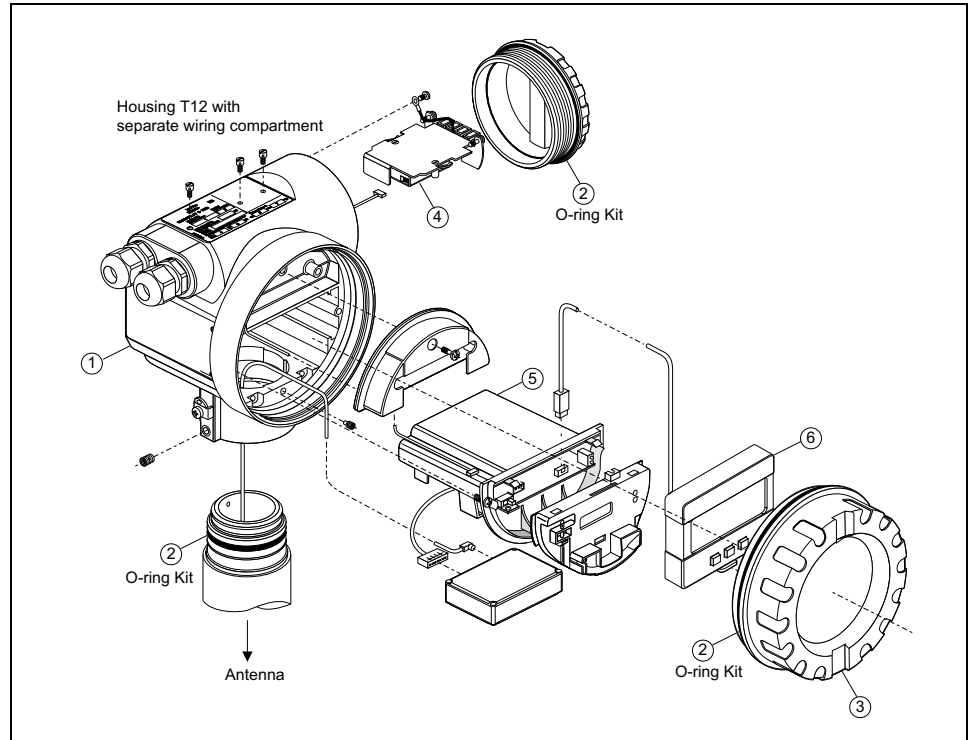
Shipping Instructions:

Special Instructions:

Ordering Instructions:

When ordering spare parts refer to the diagram for item numbers. Complete this form in full and then fax-back to (770) 810-9456, or contact your Varec local representative.

Item	Part No	Description	Quantity
1	52005683	Housing T12 Al, coated, NPT1/2, N753* Material: Aluminum, coated	
1	52005684	Housing T12 Al, coated, M20, N753* Material: Aluminum, coated	
2	52005628	O-Ring Sealing kit FMR53x RTG (15 pieces)	
3	52005936	Cover F12/T12 Al, window, gasket for operating and display module VU331 and housing F12/T12	
4	52005586	Terminal module 5-pole FMR53x RTG for housing T12	
5	52022423	Electronics FMR53x Ex HART+HF-mod., 6,3GHz ultra wideband system HF module When ordering the complete order code of the instrument and also the serial number must be quoted. (Varec)	
6	52022976	4-line alphanumeric display VU331 (Varec)	



Continued...

Part No	Description	Quantity
	Service Tools	
71006590	HF-test cable 6 GHz	
52028063	HF-test Cable 6 GHz + resistor	
52007646	Tool for unplugging the antenna cable	
71007843	Tof adapter FXA291	
71000221	Adapter cable for Tof adaptor FXA291	
	FMR530 RTG Antenna	
52021131	Horn FMR23x/FMR53x, DN80/3", 316/316L	
52021132	Horn FMR23x/FMR53x, DN100/4", 316/316L	
52021133	Horn FMR23x/FMR53x, DN150/6", 316/316L	
52021134	Horn FMR23x/FMR53x, DN200/8", 316/316L	
52021135	Horn FMR23x/FMR53x, DN250/10", 316/316L	
	7532 RTG Antenna	
52006193	Planar antenna FMR532-DN150+HNBR gasket and screws	
52006332	Planar antenna FMR532-DN150+FKM gasket and screws	
52006194	Planar antenna FMR532-DN200+HNBR gasket and screws	
52006333	Planar antenna FMR532-DN200+FKM gasket and screws	
52006195	Planar antenna FMR532-DN250+HNBR gasket and screws	
52006334	Planar antenna FMR532-DN250+FKM gasket and screws	
52005782	Flange FMR532-DIN-C 150 / PN 16-SS with o-ring and Allen screws	
52005783	Flange FMR532-DIN -C 150/PN25(40)SS with o-ring and Allen screws	
52005784	Flange FMR532-DIN -C 200 / PN 16-SS with o-ring and Allen screws	
52005785	Flange FMR532-DIN -C 200 / PN 25-SS with o-ring and Allen screws	
52005786	Flange FMR532-DIN -C 250 / PN 16-SS with o-ring and Allen screws	
52005772	Flange FMR532, ANSI 6" 150LBS 316/316L with gaskets and Allen screws	
52005775	Flange FMR532, ANSI 6" 300lbs 316L with gaskets and Allen screws	
52005773	Flange FMR532 ANSI 8" 150lbs 316L with o-ring and Allen screws	
52005776	Flange FMR532, ANSI 8" 300LBS 316/316L with gaskets and Allen screws	
52005774	Flange FMR532 ANSI 10" 150lbs 316L with gaskets and Allen screws	
52006304	Flange UNI- DN150/ 6"/200A-304 with gaskets and Allen screws	
52006303	Flange UNI- DN200/ 8"/200A-304 with gaskets and Allen screws	
52006305	Flange UNI- DN250/10"/250A-304 with gaskets and Allen screws	
71091996	Planar antenna 7532 DN150 PTFE FKM gasket and screws	
71091997	Planar antenna 7532 DN200 PTFE FKM gasket and screws	
71091998	Planar antenna 7532 DN250 PTFE FKM gasket and screws	
	FMR533 RTG Antenna	
52006335	Parabolic reflector 452x62 316L with screws M6x12	
	Housing	
543199-0001	Weather Protection Cover for T12 Housing (Stainless Steel)	
517391-0011	Cover F12/T12 Aluminum, coated, gasket	
518710-0020	Cover T3/T12 Aluminum, coated, gasket	

