

8650 Operator Interface Terminal

Panel mounted touch screen display for tank gauging applications

Varec®



FuelsManager®
Compatibility



Benefits and Features

- Available in panel-mount enclosure suitable for rugged environments- NEMA 4, CE, & UL certified.
- Easy to read in bright sunlight conditions.
- Touch screen with keys on and around viewable area.
- EIA-232 Connectivity for primary input. secondary serial input is optional (EIA-232, -422, or -485).
- 10/100Base-T Ethernet option; supports TCP/IP, UDP/IP and other protocols with Power-over-Ethernet (802.3af) option.
- Built-in speaker allows programming of audible alarms and alerts.

Applications

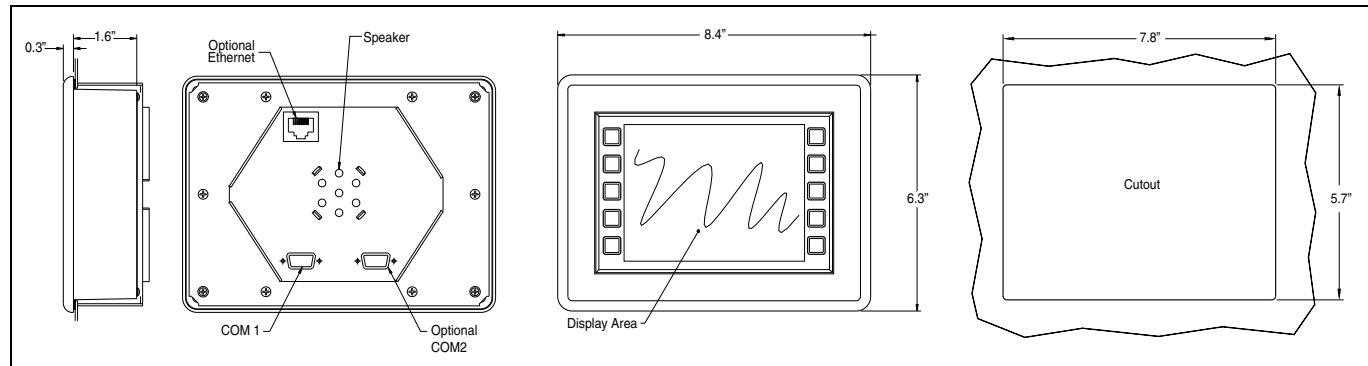
The 8650 Operator Interface Terminal (OIT) is designed to be panel mounted in a remote control room. Acting as a MODBUS master, the 8650 OIT Polls data from any connected MODBUS slave device, such as a 8130 Remote Terminal Unit or 8300 Series TankGate Interface to receive tank data. Users can quickly and easily review the contents of up to 10 connected tanks without going into the tank farm.

Configuration & Programming

Each 8650 OIT must be configured for the specific application. All programming and configuration is performed by Varec's engineering services which are additional to the base unit costs. These services are typically between 4-12 hours. Please contact a Varec sales representative for further information.

Technical Specifications

Dimensions



Display

Contrast	Software-controllable Temperature-compensated
Lighting	Brightness is software-controllable
Touch Screen	Analog-resistive operation

Data Transmission

Communications	EIA-232: Up to 50 ft. (15 m) at 115,200 EIA-422: Up to 3300 ft. (1000 m) EIA-485: multidrop chains ETHERNET: Standard 10/100Base-T interface with TCP/IP and UDP/IP support POWER-OVER-ETHERNET: (IEEE 802.3af) supports 10Base-T Ethernet communications and power over a single CAT5 cable
-----------------------	---

Environmental

Temperature	Operating: 14 to 140 °F (-10 to 60 °C) Storage: -4 to 158 °F (-20 to 70 °C)
Humidity	Humidity: 0 to 95%, non-condensing
Vibration	5 to 5000 Hz, 4 g RMS
Shock	20 g, 3 ms, any axis

Power Supply

Power	8 to 26 VDC – 490-610 mA @ 12 VDC (standard terminal), Power-over-Ethernet (IEEE 802.3af)
--------------	---

Mechanical Construction

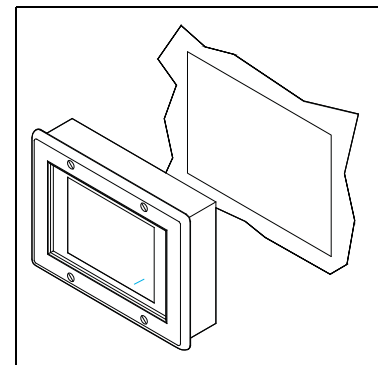
Housing	UL 94V-0 flame rating. Sealing: NEMA-4 front panel
Material	Glass-filled polyester,
Mounting	Accommodates panels from up to 0.3" (7 mm) thick with standard screws.
Size	8.4" x 6.3" x 2" approximately (215 x 161 x 50 mm)
Weight	2.5 lbs (1.16 kg)

Certifications and Approval

FCC Part 15, Class A CE Certified: EN60950:1992, EN55022:1994 FCC Part 15, Subpart B, ICES-003, EN55024:1998

Installation

Note! No screw holes are required; a gasket and mounting hardware are included with the unit.



www.varec.com

5834 Peachtree Corners East • Norcross, GA 30092
Tel: +1 (770) 447-9202 • Toll Free: +1 (866) 698-2732 • Fax: +1 (770) 662-8939

Varec[®]

If no official representative is listed here, please visit www.varec.com to find your local representative. © Varec, Inc. All Rights Reserved. This document is for information purposes only. Varec, Inc. makes no warranties, express or implied, in this summary. The names of actual companies and products mentioned herein may be the trademarks of their respective owners.