

4560 Servo Gauge Monitor

Maintenance & Spare Parts



Name _____

Company _____

Tel: _____

Fax: _____

E-mail: _____

Date: _____

Date Parts Required: _____

Item	Part No	Description	Quantity
1	017803-0030	O-ring, display cover, NBR	
2	017800-0111	Cover display module, Alu	
3	017801-0133	Cover terminal compartment, Alu	
4	017801-0111	Assembly bracket 90deg, Alu	
5	71070911	Chassis+EMC filter cover, 4560 SGM	
6	56004435	Set screw part	
7	017801-0030	Terminal board (Exd)	
	70103938	Display + Operation module Type II (4-line)	
8	017801-0010	Display module, 3x key optical (2-line)	
9	70103940	POW-6 HV non Ex i	
	70103941	POW-6 LV non Ex i	
10	70109104	FCB-1 CPU module V1.94, Graphic 4-line display	
	017801-0001	Communications board FCB1 v1.92, 2-line display	
11	017801-0020	Filter board + spacer 85...260VAC	
12	017801-0105	Fuse 250VAC T2A50, 10 pcs.	
13	017801-0107	Barrier, fuse cover, 10 pcs.	

Delivery Address: _____

Billing Address: _____

End User Information:

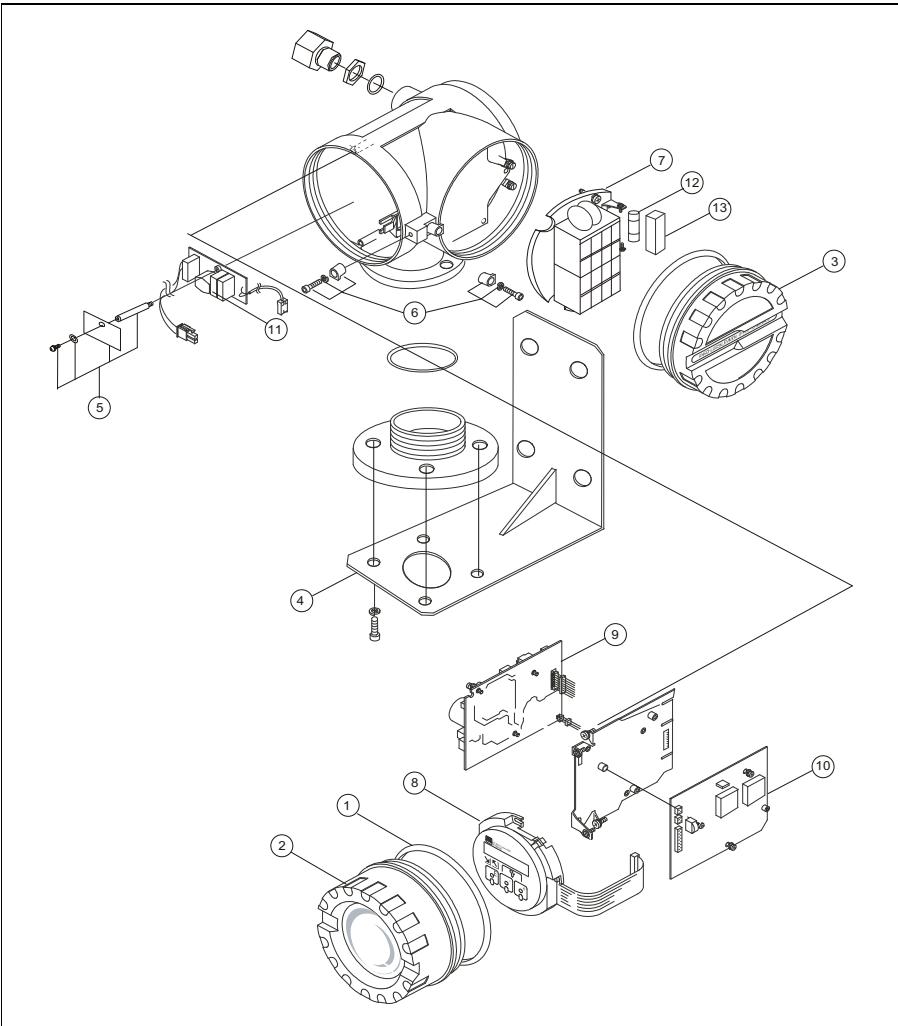
 (Name, Company, City, State, Zip)

Purchase Order Number: _____

Shipping Instructions: _____

Special Instructions: _____

Ordering Instructions:
 When ordering spare parts refer to the diagram for item numbers. Complete this form in full and then fax-back to (770) 810-9456, or contact your Varec local representative:



www.varec.com

