

# 4539 Average Temp/Water Bottom Sensor

Maintenance & Spare Parts



Name \_\_\_\_\_

Company \_\_\_\_\_

Tel: \_\_\_\_\_

Fax: \_\_\_\_\_

E-mail: \_\_\_\_\_

Date: \_\_\_\_\_

Date Parts Required: \_\_\_\_\_

Delivery Address: \_\_\_\_\_

Item	Part No	Description	Quantity
1	017803-0043	O-ring, electric cover, NBR	
2	017803-0044	O-ring, terminal housing, NBR	
3	52017174	WB ver cover O-ring	
4	70106024	Cover, E-housing 453x ATC, M88 long type	
5	017802-0008	Cover terminal compartment, Alu, NMT	
6	52017175	Cover connection housing	
7	58020200	Terminal + EMC filter Assembly.	
8	58020201	Module assembly temp. v.183	
	58020202	Module assembly temp. v.184	
	58020203	Module assembly 1m WB v.185	
	58020204	Module assembly 2m WB v.185	
	58020205	Module assembly 1m WB v.186	
	58020206	Module assembly 2m WB v.186	
	58020207	Module assembly W+M temp. v.184	
	58020208	Module assembly W+M 1m WB v.186	
	58020209	Module assembly W+M 2m WB v.186	
	70108672	Module assembly FM approval temp. v.190	
	70108675	Module assembly FM approval 2m WB v.185	
	70108678	Module assembly FM approval temp. v.183	
	70108677	Module assembly FM approval temp. v.184	
70108676	Module assembly FM approval 1m WB v.185		
70108674	Module assembly FM approval 1m WB v.186		
70108679	Module assembly FM approval 2m WB v.186		

Billing Address: \_\_\_\_\_

End User Information: \_\_\_\_\_  
 (Name, Company, City, State, Zip)

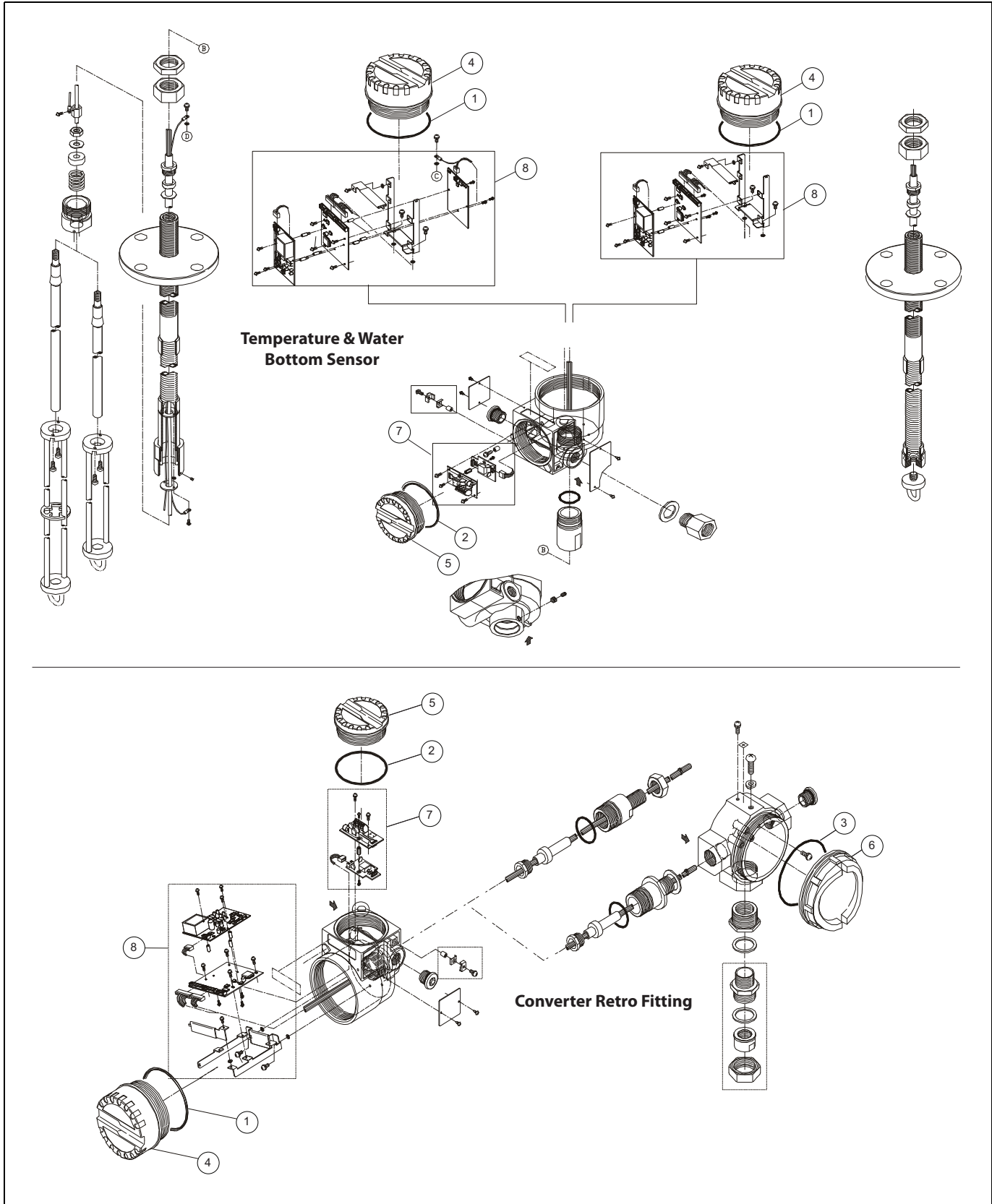
Purchase Order Number: \_\_\_\_\_

Shipping Instructions: \_\_\_\_\_

Special Instructions: \_\_\_\_\_

**Ordering Instructions:**  
 When ordering spare parts refer to the diagram for item numbers. Complete this form in full and then fax-back to (770) 810-9456, or contact your Varec local representative:

# 4539 Average Temp/Water Bottom Sensor



**Note!** Refer to previous page for individual part numbers.