

8200 Current Output Transmitter

Maintenance and Spare Parts



Name _____

Company _____

Tel: _____

Fax: _____

E-mail: _____

Date: _____

Date Parts Required: _____

Delivery Address: _____

Item	Part No.	Description	Quantity
1	D5235-011PT	Std Xmtr Housing Cover	
2	P14-170Std	Housing Cover O-Ring, 7"	
3	08-06886-1*	4-20 ma Xmtr Bd 110/220 VAC (was BMC190-01)	
4	08-06886-2	4-20ma Xmtr Bd 15-48 VDC User Supp (was BMC190-00)	
5	BME11777-001*	Encoder 0-12.5 ft, FWD	
	BME11777-002*	Encoder 0-25 ft, FWD	
	BME11777-004*	Encoder 0-50 ft, FWD	
	BME11777-006*	Encoder 0-100 ft, FWD	
	BME11777-008*	Encoder 0-3.75M, FWD	
	BME11777-009*	Encoder 0-7.5M, FWD	
	BME11777-010*	Encoder 0-15M, FWD	
	BME11777-011*	Encoder 0-24M, FWD	
6	08-08744	Terminal Strip Assembly	
	06-03315-2	2 SPDT Limit Switch Parts Kit (not shown)	
7	06-03315-4	4 SPDT Limit Switch Parts Kit (not shown)	
	13-05956-102	Adapter kit for mounting to L&J 92514, 92020 and 92030 gauges	
	13-05956-202	Adapter kit for mounting to L&J 92006 and Whessoe Varec 2006, 2026, and 2036 gauges	

Billing Address: _____

Note! * Recommended spare parts to keep in stock per 10 instruments installed (select the appropriate encoder based on your product configuration)

Note! All items not listed here require factory servicing due to the critical alignments required when replacing spare parts - Please consult the factory.

End User Information: _____

(Name, Company, City, State, Zip)

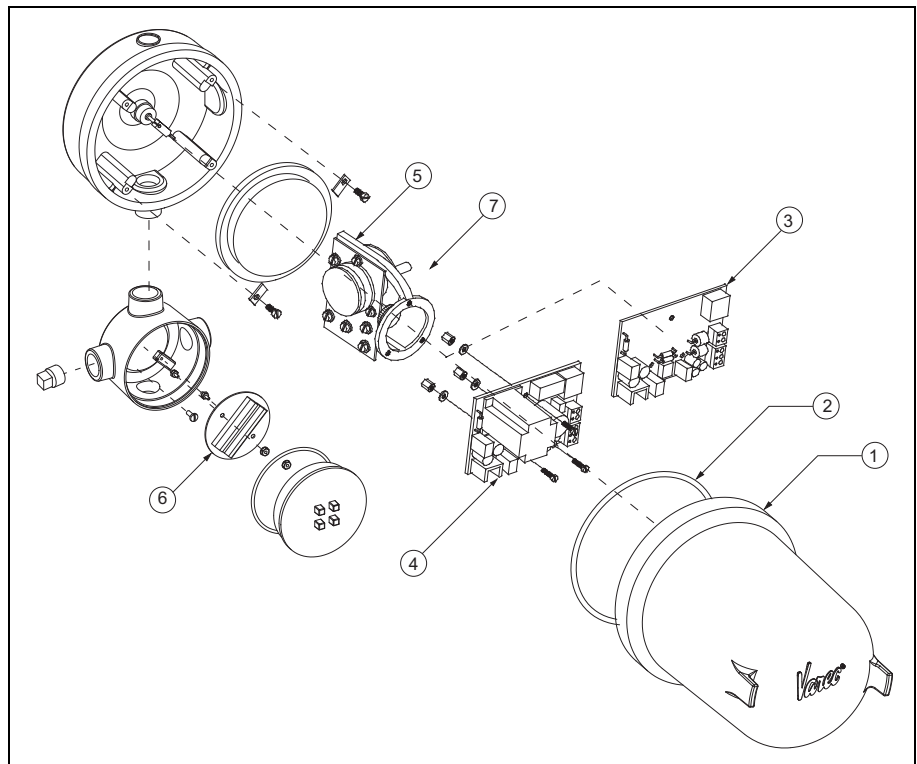
Purchase Order Number: _____

Shipping Instructions: _____

Special Instructions: _____

Ordering Instructions:

When ordering spare parts refer to the diagram for item numbers. Complete this form in full and then fax-back to (770) 810-9456, or contact your Varec local representative:



www.varec.com