

# 2900 Float & Tape Transmitter

## Maintenance and Spare Parts



Name \_\_\_\_\_

Company \_\_\_\_\_

Tel: \_\_\_\_\_

Fax: \_\_\_\_\_

E-mail: \_\_\_\_\_

Date: \_\_\_\_\_

Date Parts Required: \_\_\_\_\_

Delivery Address: \_\_\_\_\_

Billing Address: \_\_\_\_\_

End User Information: \_\_\_\_\_

(Name, Company, City, State, Zip)

Purchase Order Number: \_\_\_\_\_

Shipping Instructions: \_\_\_\_\_

Special Instructions: \_\_\_\_\_

Ordering Instructions:

When ordering spare parts refer to the diagram for item numbers. Complete this form in full and then fax-back to (770) 810-9456, or contact your Varec local representative:

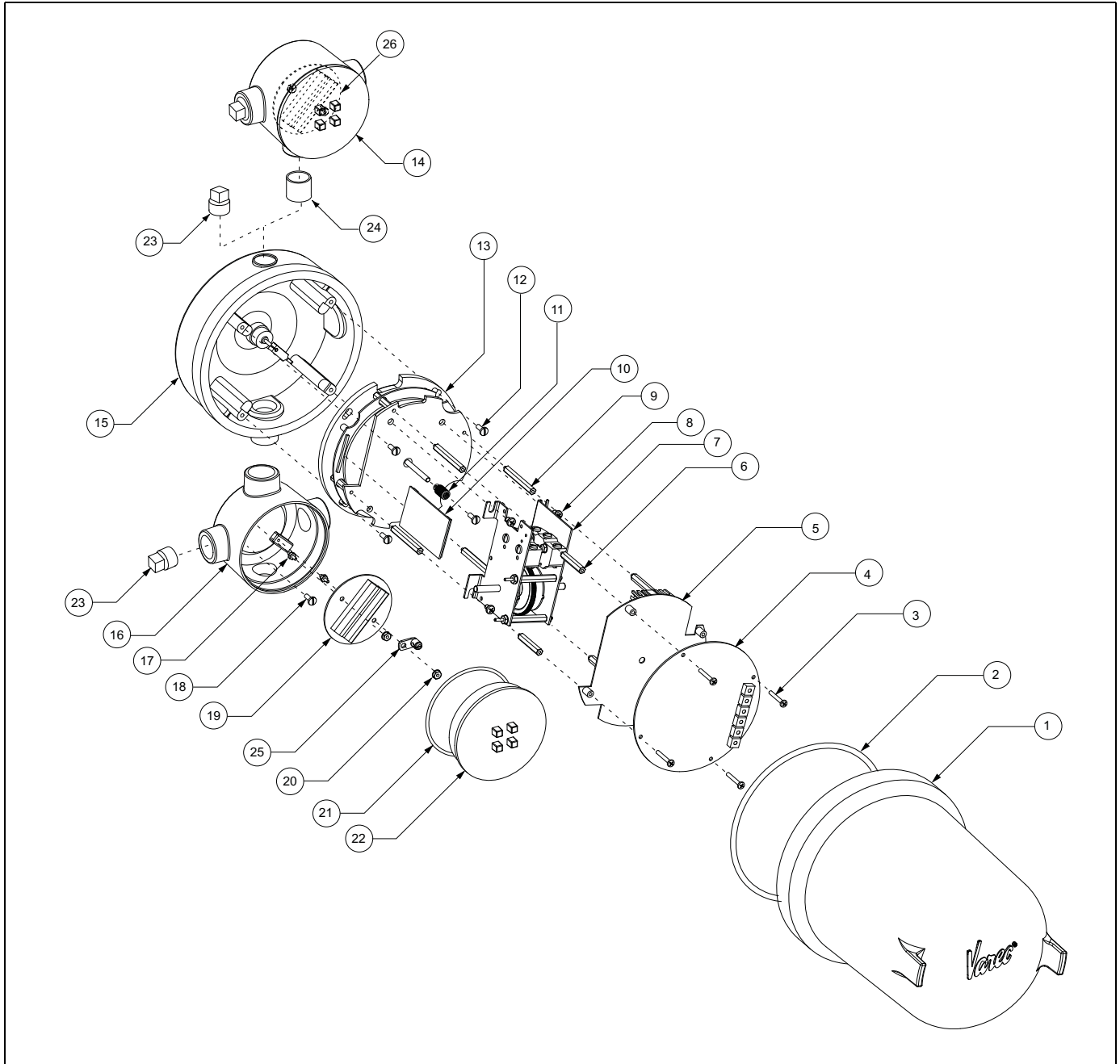
Item	Part No.	Description	Quantity
1	D5235-011	2900 FTT enclosure cover	
2	P104-18-5235	Enclosure cover O-ring	
3	283061477	Communications board machine screw (x4)	
4a	08-12842-1*	Mark/Space communications PCB	
4b	08-12829*	EIA-485 communications PCB	
4c	08-12842-2*	L&J Tankway communications PCB	
4d	08-12830*	GPE communications PCB	
4e	08-12831*	Whessoe Bus communications PCB	
5	08-12836	AC power supply & input/output PCB	
6	P102-21-102	1.5" PCB standoff (x4)	
7a	06-01429-ACA	Limit switch assembly (2 switches)	
7b	06-01429-AEA	Limit switch assembly (4 switches) - not shown	
8	283061477	Limit switch assembly screw (x4)	
9	P102-21-106	1.75" PCB standoff (x4)	
10a	08-12839	Long connections PCB	
10b	08-12848	Short connections PCB	
11	Supplied with 7a or 7b	Worm Gear	
12	P31-807	Optical encoder assembly mounting screw	
13	BME10290*	Optical encoder assembly	
14	P109-18-011	Terminal junction box assembly (includes parts 16, 21, 22, 23x3)	
15a	B10290-100	Enclosure base assembly (includes part 14x1 (junction box) mounted bottom and part 24)	
15b	B10290-200	Enclosure base assembly (with optional AC power supply (includes part 14x2 (junction boxes) mounted top and bottom and part 24)	
16	NA	Terminal junction box base	
17	P31-983	Terminal junction box PCB mounting bolt	
18	P109-18-011	Terminal junction box ground screw	
19	08-08744*	Terminal junction box PCB	
20	P31-984	Terminal junction box hex nut	
21	P104-18-001	Terminal junction box o-ring	
22	NA	Terminal junction box cover	
23	P109-16-034	3/4" Close up plug	
24	B15590	Nipple assembly and wire bundle	
25	P102-02-094	Ground Connector	
26	08-12856	DC Terminal Board	
Part Kit	06-01284-1	Optical encoder assembly with PCB mounting posts (contains parts 13, 12x4, 10b, 6x4)	
Part Kit	06-01284-2	Optical encoder Assembly with PCB mounting posts +AC power	
Part Kit	06-01283-1	Optical encoder assembly with two (2) SPDT limit switches (contains parts 13, 12x4, 11, 10a, 9x4, 8x4, 7a, 6x4)	
Part Kit	06-01283-2	Optical encoder assembly with four (4) SPDT limit switches (contains parts 13, 12x4, 11, 10a, 9x4, 8x4, 7b, 6x4)	
Part Kit	06-01283-3	Optical encoder Assembly with (4) SPDT limit switches	
Part Kit	06-01283-4	Optical encoder Assembly with (4) SPDT limit switches + AC power	
Part Kit	06-10290	Terminal junction box assembly w/surge protector board	
Part Kit	B15590	Nipple assembly and wire bundle	
	13-05956-102	Adapter kit for mounting to L&J 92514, 92020 and 92030 gauges	
	13-05956-202	Adapter kit for mounting to L&J 92006 and Whessoe Varec 2006, 2026, and 2036 gauges	

**Note!** \* Recommended spare parts to keep in stock per 10 instruments installed (select the appropriate communications PCB based on your product configuration)

**Note!** Refer to next page for spare part diagram.

www.varec.com

# 2900 Float & Tape Transmitter Spare Parts



**Note!** Refer to previous page for individual part numbers.